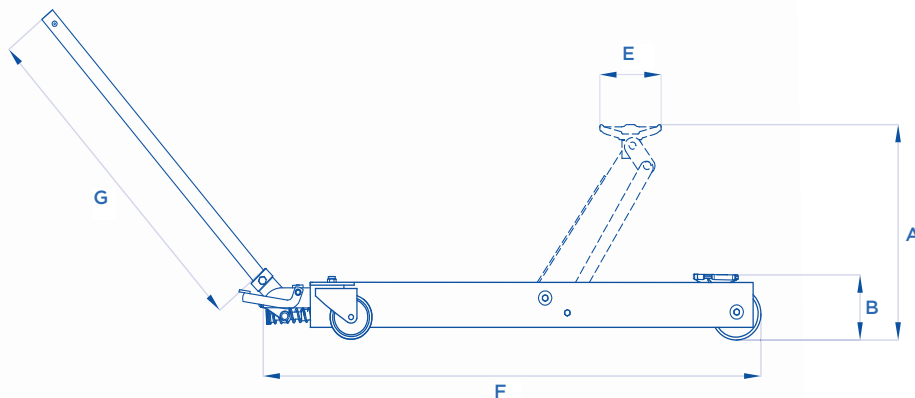
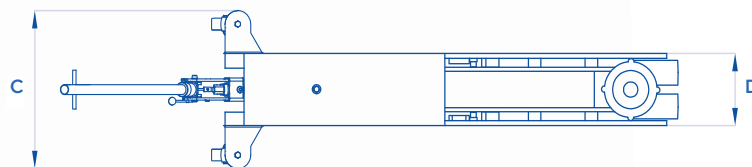


**SPECIAL
LINE**



OPTIONAL

**ART. 392/A
TAMPONE IN GOMMA**

Rubber-covered support
Plateau caoutchouc
Gummiteller



ART.



A mm

B mm

C mm

D mm

E mm

F mm

G mm

KG

1130/XR

1500 kg

510

100

360

205

100

1320

780

50